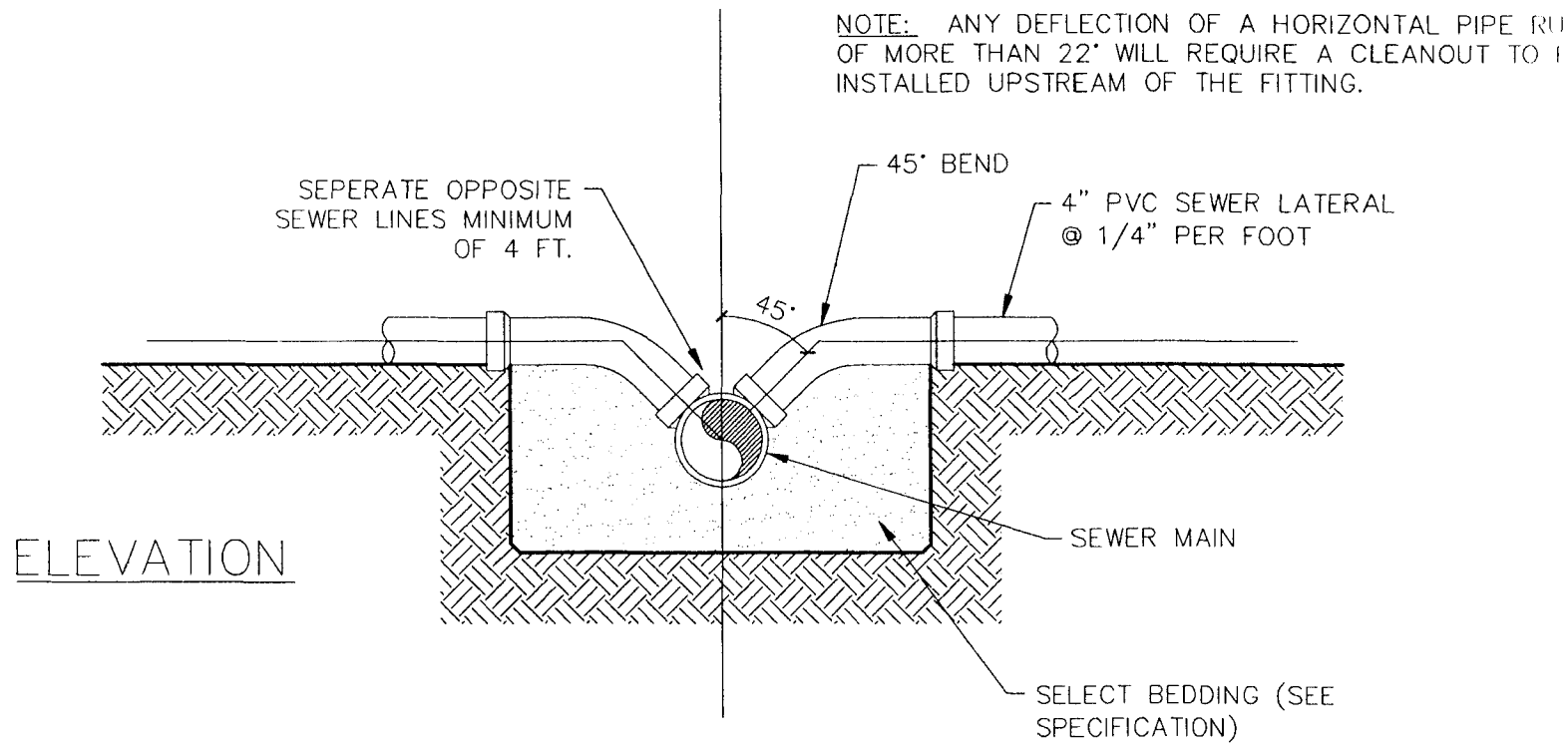


H PROPERTY OWNER TWO-WAY SEWER LINE CLEANOUT
 SCALE: 3/4" = 1'-0"

13



D SERVICE LINE CONNECTION
SCALE: 3/4" = 1'-0"